

## Indented Cylinder

The HOTYP is designed for precise separation of cereals and seed by length. Through this process short and long grains are removed.

Separation by length is normally effected after screen and air cleaning.

The short grain indented cylinder is provided with stirrer for efficient separation, and the long grain indented cylinder is provided with optimizer for optimum exploitation of the cover area.

If both short and long grain separation is required, e.g. 2 indented cylinders can be located over each other so that the material is first short grain separated in the upper indented cylinder and then long grain separated in the lower indented cylinder.

The flexible modular design also permits special customer adapted arrangements with distribution indented cylinders for e.g. grass seed or with several parallel indented cylinders for malting barley or the like.



- The HOTYP is designed for industrial operation.
- Flexible modular system.
- Built-in two-way distributor in the outlet module for change over of short and long material.
- Possibility of sampling.
- Connection to aspiration for dust-free operation.
- Material-repellent seals approved for food.
- Electronic remote control of the trough (option).

Specifications		520	730	930
<b>Guiding capacities:</b>				
Short grain separation, wheat	t/h	5	10	15
Long grain separation, wheat	t/h	4	8	12
Cover diameter	mm	500	700	930
Cover length	mm	1980	2910	2910
Weight per module incl. of cover	kg	500	1050	1600

Subject to alterations



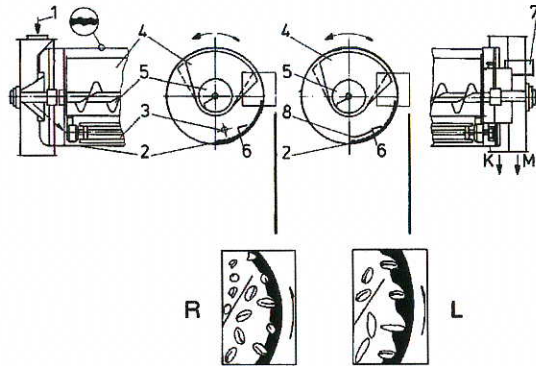
DAMAS A/S  
 Industrivej 2, Vester Aaby  
 DK-5600 Faaborg  
 Tel. +45 6361 8200 • Fax +45 6261 6851  
 Mail@damas.com • www.damas.com



www.canseedequip.com

332 Packham Avenue  
 Saskatoon, SK S7N 2T1  
 Ph: (306) 244-2285  
 Fax: (306) 244-4066

## Principle drawing



## Function

The material to be treated (1) runs along the bottom of the indented cylinder cover (2). Through the rotation of the indented cylinder cover the short material is lifted up into the trough (4) and is carried to the trough outlet (M) by means of a worm (5). The long material falls out of the indents (6) before it reaches the trough (4) and continues towards the cover outlet (K).

The inclination of the trough (4) can be adjusted during operation and is shown on a graduated scale.

When the indented cylinder is operating as short seed indented cylinder (R) it is equipped with a stirrer (3), ensuring that each seed comes into contact with the indents.

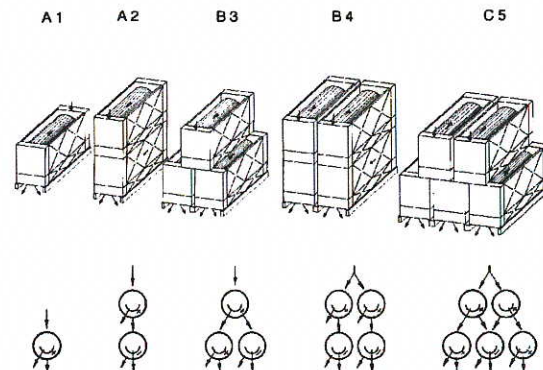
As long seed indented cylinder (L) a special distributor arrangement (8) is incorporated, giving max. utilization of the cover.

Suction pipe branches (7) and doors for samples are standard equipment.

The bottom frame of the indented cylinder can be delivered with legs in 5 different standard heights.

## Modular system

With the DAMAS modular system the most flexible indented cylinder arrangement in any combination can be built, see the standard combinations A1-C5. Without any difficulties it is possible to change or extend the indented cylinder battery. In the outlet module a double two-way distributor is built-in which makes a change over the function of the indented cylinder possible.



## Technical specifications

Type HOTYP		520	730	930
Cover diameter	mm	500	700	930
Cover length	mm	1980	2910	2910
Motor	kW	0.75	2.2	2.2
<b>Guid. capacities (up to)</b>				
A1 & A2	barley & wheat	t/h	4	8
B3	barley & wheat	t/h	12	18
B4	barley & wheat	t/h	16	24
C5	barley & wheat	t/h	24	
Weight A1 (incl. cover)	kg	500	1050	1600
Weight A2 (incl. covers)	kg	900	1950	3000
Weight B3 (incl. covers)	kg		2900	4500
Weight B4 (incl. covers)	kg		3800	6000
Weight C5 (incl. covers)	kg		4800	

Subject to alterations