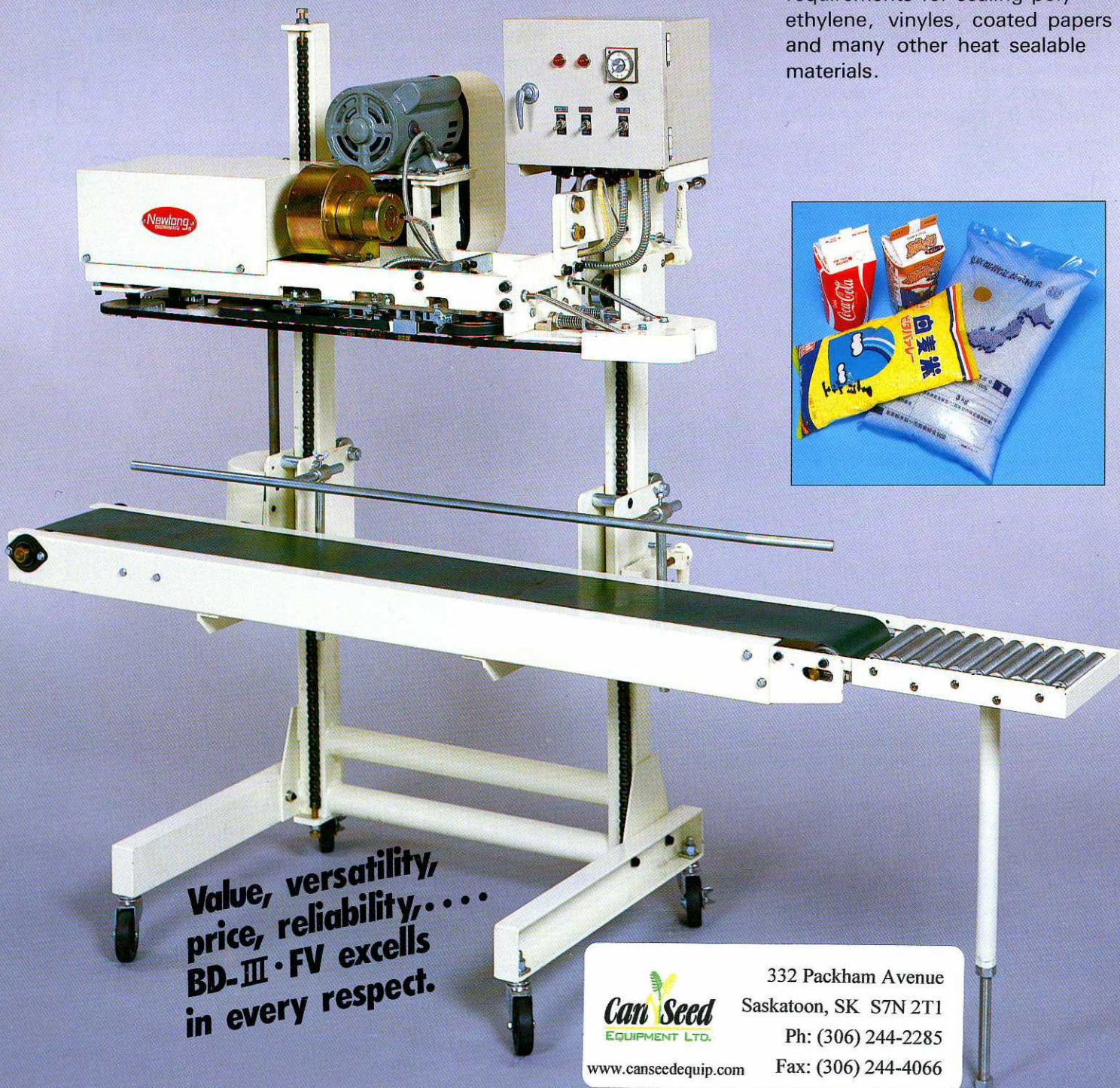


CONTINUOUS SEALER CONVEYOR

BD-III·FV

SIMPLE SEALING FROM LIGHT TO HEAVY WEIGHT BAGS

Meets intermediate production requirements for sealing polyethylene, vinyls, coated papers and many other heat sealable materials.



*Value, versatility,
price, reliability, . . .
BD-III·FV excels
in every respect.*

Can Seed
EQUIPMENT LTD.
332 Packham Avenue
Saskatoon, SK S7N 2T1
Ph: (306) 244-2285
www.canseedequip.com Fax: (306) 244-4066

NEWLONG MACHINE WORKS, LTD.

FAST, EFFICIENT, ECONOMICAL SEALING MACHINE

BD-III•FV

■ FEATURES

BEAUTIFUL AND POSITIVE SEALING

Beautiful and positive sealing available by unique teflon coated band without burn on bag or dirt by silicon oil.

AVAILABLE FOR ANY KINDS OF FILM

Possible to seal all kinds of bag for packing.

ADJUSTABLE SEALING HEIGHT FREELY

Adjustable sealing height and conveyor height by handle. Simple adjustment for bag height 100–500mm.

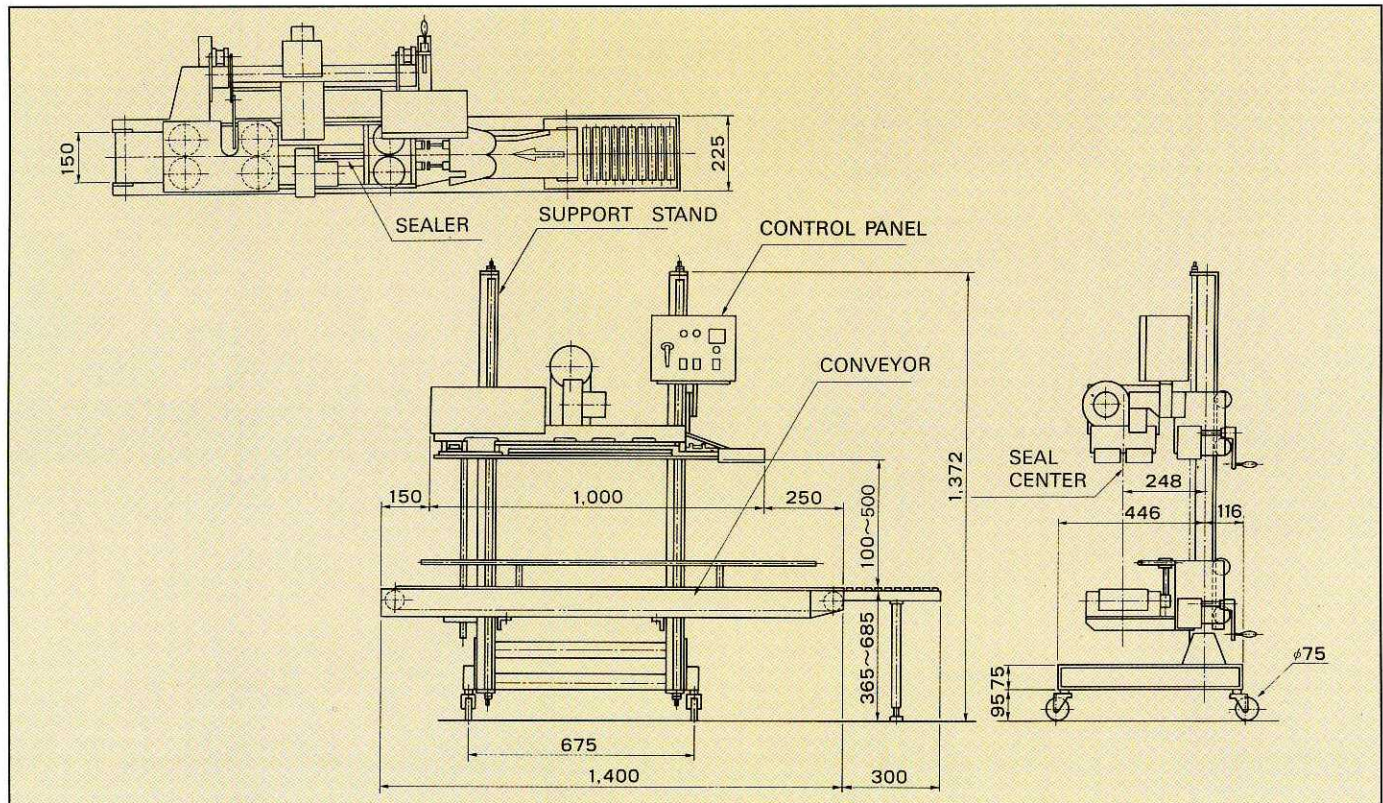
HIGH EFFICIENCY AVAILABLE BY A COMBINATION OF SCALE

Machine height adjustable freely depends on bag size and weighing scale size. Both types of weighing scale available for granular and powdery products.

■ SPECIFICATIONS

Sealing	BD-III•FV
Speed	5.3-12.0m/min. (50Hz) 6.3-14.4m/min. (60Hz)
Heater element	450W × 2pcs.
Drive Motor	300W
Temperature	Max. 400°C
Power source	AC 100V or 220V 50/60Hz 1Ph 1.3KW
Net weight	140kg

Optional devices such as Hot Printer, Emboss Coder, Dust Cleaner, Trimmer, Gusset Roller, etc.



※ We reserve the right to change any of the specifications without notice.

NZ NEWLONG MACHINE WORKS, LTD.

Can Seed
EQUIPMENT LTD.
www.canseedequip.com

332 Packham Avenue
Saskatoon, SK S7N 2T1
Ph: (306) 244-2285
Fax: (306) 244-4066

Can Seed
EQUIPMENT LTD.
www.canseedequip.com

332 Packham Avenue
Saskatoon, SK S7N 2T1
Ph: (306) 244-2285
Fax: (306) 244-4066